

## PKX FT/A

### Proportional Solenoid Dosing Pump

Compact Solenoid dosing pump with configurable foot or wall mount bracket

#### GENERAL FEATURES

- Proportional dosing mode (Free Tension Contact)
- Volumetric Proportional (**F** type): 1:1 (1 dose per pulse)
- Volumetric with timer (**T** type): 1 pulse the pump will dose for a period of time (from 0 to 60 sec) adjustable from 0 to 100%
- Flow rate up to 7 L/H
- Operating pressure up to 7 bar
- Max stroke rate: 120 impulses/min
- Manual air bleed pump head
- Level probe input
- IP65 protection degree
- Wall or foot mounting plastic bracket (included)
- STD Power Supply: 230 Vac 50-60 Hz
- PP reinforced housing
- PP pump head with Lip valves
- Pump head options include PVDF with ceramic balls; Auto-bleed
- PE diaphragm
- Available with removable power cable
- Extra silent version available upon request
- CE and CSA certifications



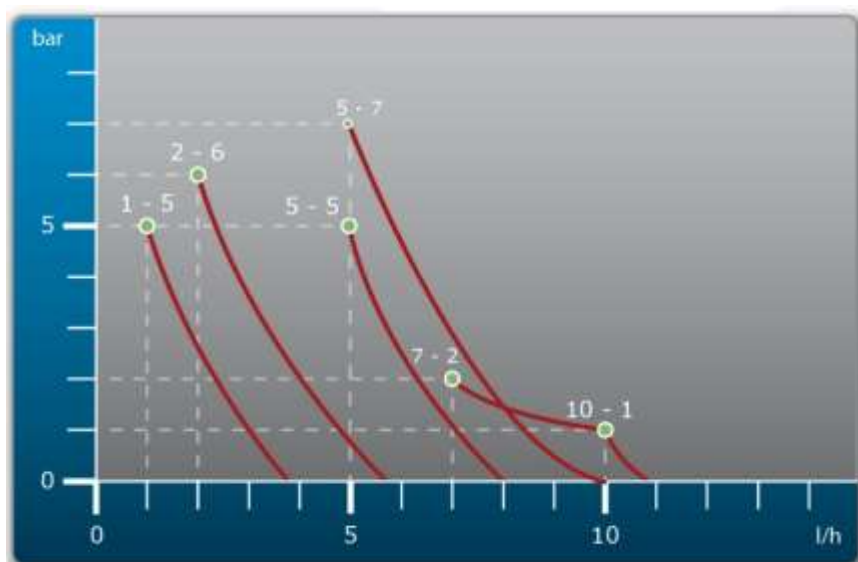
#### PVDF-FPM Standard Kit

ALL DLX are supplied with a standard **PVDF-FPM installation kit**, made up of 2m discharge PE tube (4x6mm), 2m suction + 2m bleeding PVC crystal tube (4x6mm), PVDF foot-filter, PVDF injection valve. Other configurations are available upon request.

## Technical Features

| Model       | Flow Rate<br>l/h<br>(US G1/h) | Max<br>Pressur<br>e<br>Bar -<br>PSI | Injection<br>Volume (cc<br>per stroke) | Max frequency<br>(imp./min) | Connections<br>Int/Ext | Standard<br>Power Supply<br>(Volts -Hz) |
|-------------|-------------------------------|-------------------------------------|--|-----------------------------|------------------------|---|
| <b>0105</b> | 1 (0.26)                      | 5 - 72                              | 0.14                                   | 120                         | 4x6                    | 230V - 50-60 Hz                         |
| <b>0206</b> | 2 (0.53)                      | 6 - 87                              | 0.28                                   | 120                         | 4x6                    | 230V - 50-60 Hz                         |
| <b>0505</b> | 5 (1.32)                      | 5 - 72                              | 0.69                                   | 120                         | 4x6                    | 230V - 50-60 Hz                         |
| <b>0702</b> | 7 (1.84)<br>10 (2.64)         | 2 - 29<br>1 - 14                    | 0.97                                   | 120                         | 4x6                    | 230V - 50-60 Hz                         |

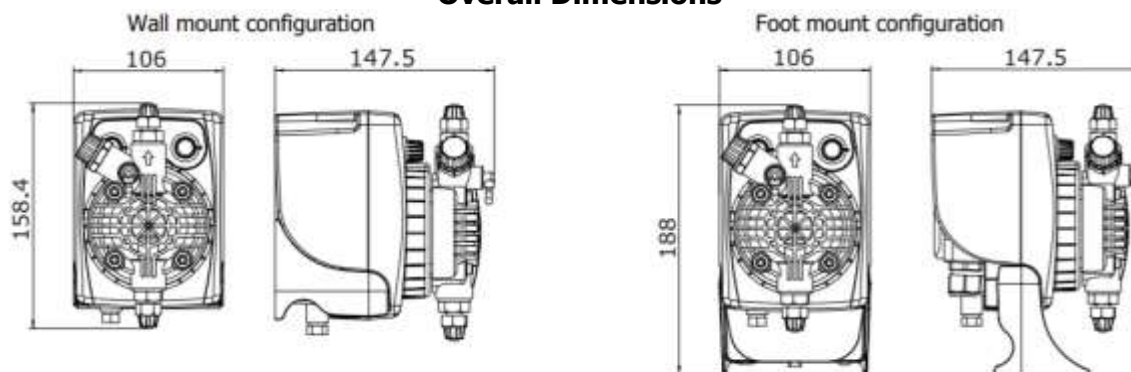
## Pressure (bar) – Flow Rate (l/h) Chart



## Codes

| PKX FT/A   | Version |
|------------|---------|
| PKX3002801 | 0105    |
| PKX3028901 | 0206    |
| PKX3003901 | 0505    |
| PKX3004001 | 0702    |

## Overall Dimensions



ALL DIMENSIONS ARE IN MM