

## DLX & DLXB MF/M

Multifunction Digital solenoid dosing pump

**DLX MF/M** model consists of a series of multifunction dosing pumps with a microprocessor and a liquid crystal display enabling an accurate injection pulses choice

### GENERAL FEATURES

- Operating functions:
  - ON/OFF proportional operating modes,
  - Proportional dosing functions by reed water meter: 1xn; 1xn (m) 1:n; PPM
  - Adjustable 0/4-20mA control
- Flow Sensor input (Alarm)
- Relay Output
- Level probe input
- Daily and weekly timer programming (8 programmes/day)
- Clock and Buzzer
- Anti-acid plastic casing
- IP65 protection degree
- Up to 20 l/h and 20 bar
- Wall (DLX) and Foot mounted (DLXB):
- Standard pump head: PVDF body, PTFE diaphragm, ceramic balls, FPM seats\*
- Manual air bleed pump head; from 5 to 15l/h automatic air bleed available on request
- Power Supply: 220-240V\*\*
- Strokes frequency:
  - 120 strokes/min (from 1l/h to 15l/h)
  - 150 strokes/m (20 l/h)
- CE and CSA certified



*\*different configurations available upon request*

*\*\*other power supplies available upon request*

### Stroke Length Adjustment



**The Stroke Length Adjustment** mechanism is available for DLXB foot mounting version only. It allows to regulate the plunger's stroke length from 20 to 100% by moving the knob accordingly. This way is possible to adjust the quantity of product delivered for each injection, performing a more accurate dosing

### PVDF-FPM Standard Kit

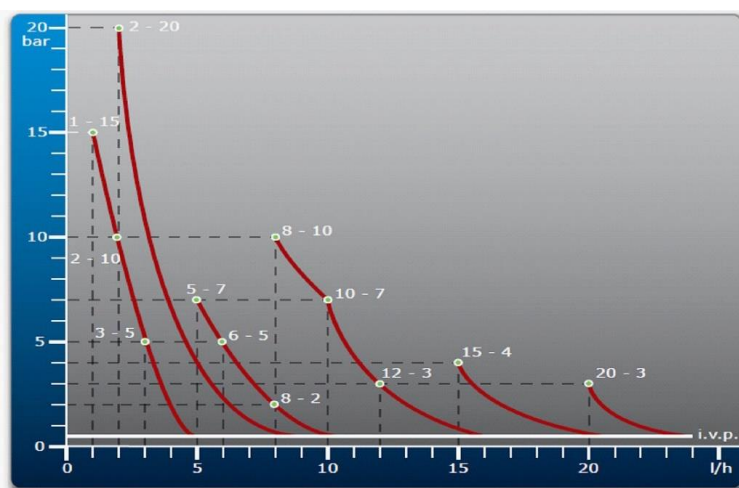


ALL DLX are supplied with a standard **PVDF-FPM installation kit**, made up of 2m discharge PE tube (4x6mm), 2m suction + 2m bleeding PVC crystal tube (4x6mm), PVDF foot-filter, PVDF injection valve. Other configurations are available upon request.

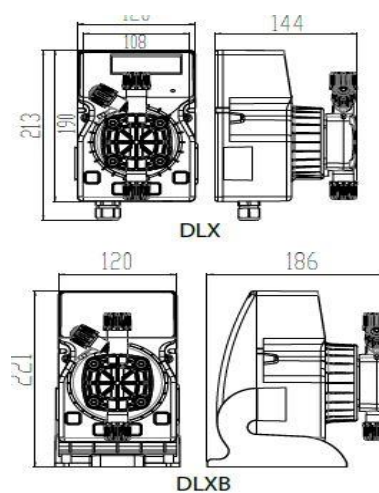
## Technical Features

Version	Flow Rate l/h (US Gl/h)	Max Pressure Bar - PSI	Max frequency (imp./min)	Injection Volume (cc per stroke)	Standard Power Supply (Volts -Hz)	Power consumption (Watts)	Net Weight (Kg)
<b>0115</b>	1 (0.26)	15	120	0,14	230V - 50-60 Hz	37	2.3
	2 (0.53)	10		0,28			
	3 (0.78)	5		0,42			
<b>0202</b>	2 (0.53)	20	120	0,28	230V - 50-60 Hz	58	2.9
<b>0507</b>	5	7	120	0,69	230V - 50-60 Hz	37	2.3
	6	5		0,83			
	8	2		1,11			
<b>0801</b>	8	10	120	1,11	230V - 50-60 Hz	58	2.9
	10	7		1,39			
	12	3		1,67			
<b>1504</b>	15	4	120	2,08	230V - 50-60 Hz	58	2.9
<b>2003</b>	20	3	150	2,60	230V - 50-60 Hz	58	2.9

### Pressure (bar) – Flow Rate (l/h) Chart



### Overall Dimensions



CODE	DESCRIPTION
PLX172225E	DLX MF/M 1 - 15
PLX1703201	DLX MF/M 2 - 20
PLX170385E	DLX MF/M 5 - 7
PLX172285E	DLX MF/M 8 - 10
PLX172315E	DLX MF/M 15 - 4
PLX1722001	DLX MF/M 20 - 3

CODE	DESCRIPTION
PBX172225E	DLXB MF/M 1 - 15
PBX1703201	DLXB MF/M 2 - 20
PBX170385E	DLXB MF/M 5 - 7
PBX172285E	DLXB MF/M 8 - 10
PBX172315E	DLXB MF/M 15 - 4
PBX1722001	DLXB MF/M 20 - 3