

## DLX & DLXB MA/AD

### Analogue dosing pump with manual flow rate regulation

The **DLX MA/AD** model consists of series of metering pumps enabling manual regulation by knob

#### General Features

- Double Manual regulation by knob
- Selectable regulation range: 0-20% or 0-100%
- Level sensor input (on request)
- Anti-acid plastic casing
- IP65 protection degree
- Up to 20 l/h and 20 bar
- Wall (DLX) and Foot mounted (DLXB):
- Standard pump head: PVDF body, PTFE diaphragm, ceramic balls, FPM seats\*
- Power Supply: 220-240V\*\*
- Strokes frequency:
  - 120 strokes/min (from 1l/h to 15l/h)
  - 150 strokes/m (20 l/h)
- CE and CSA certified



*\*different configurations available upon request*

*\*\*other power supplies available on request*



#### Stroke Length Adjustment

**The Stroke Length Adjustment** mechanism is available for DLXB foot mounting version only. It allows to regulate the plunger's stroke length from 20 to 100% by pressing and turning the knob up to the stroke length adjustment required. This way is possible to adjust the quantity of product delivered for each injection, performing a more accurate dosing



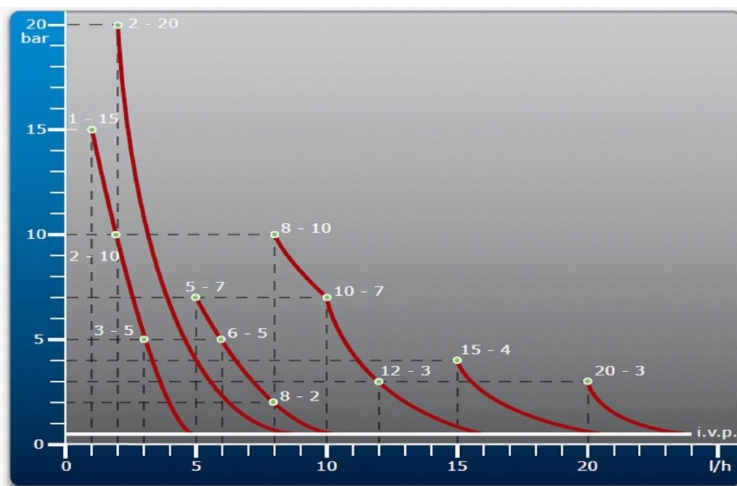
#### PVDF-FPM Standard Kit

ALL DLX are supplied with a standard **PVDF-FPM installation kit**, made up of 2m discharge PE tube (4x6mm), 2m suction + 2m bleeding PVC crystal tube (4x6mm), PVDF foot-filter, PVDF injection valve. Other configurations are available upon request.

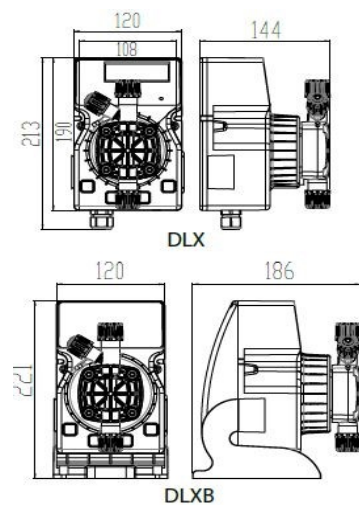
## Technical Features

Version	Flow Rate l/h (US GI/h)	Max Pressure Bar - PSI	Max frequency (imp./min)	Injection Volume (cc per stroke)	Standard Power Supply (Volts -Hz)	Power consumpti on (Watts)	Net Weight (Kg)
<b>0115</b>	1 (0.26)	15	120	0,14	230V - 50-60 Hz	37	2.3
	2 (0.53)	10		0,28			
	3 (0.78)	5		0,42			
<b>0202</b>	2 (0.53)	20	120	0,28	230V - 50-60 Hz	58	2.9
<b>0507</b>	5	7	120	0,69	230V - 50-60 Hz	37	2.3
	6	5		0,83			
	8	2		1,11			
<b>0801</b>	8	10	120	1,11	230V - 50-60 Hz	58	2.9
	10	7		1,39			
	12	3		1,67			
<b>1504</b>	15	4	120	2,08	230V - 50-60 Hz	58	2.9
<b>2003</b>	20	3	150	2,60	230V - 50-60 Hz	58	2.9

### Pressure (bar) – Flow Rate (l/h) Chart



### Overall Dimensions



CODE	DESCRIPTION
PLX232225E	DLX MA/AD 1 - 15
PLX2303201	DLX MA/AD 2 - 20
PLX230385E	DLX MA/AD 5 - 7
PLX232285E	DLX MA/AD 8 - 10
PLX232315E	DLX MA/AD 15 - 4
PLX2322001	DLX MA/AD 20 - 3

CODE	DESCRIPTION
PBX232225E	DLXB MA/AD 1 - 15
PBX2303201	DLXB MA/AD 2 - 20
PBX230385E	DLXB MA/AD 5 - 7
PBX232285E	DLXB MA/AD 8 - 10
PBX232315E	DLXB MA/AD 15 - 4
PBX2322001	DLXB MA/AD 20 - 3